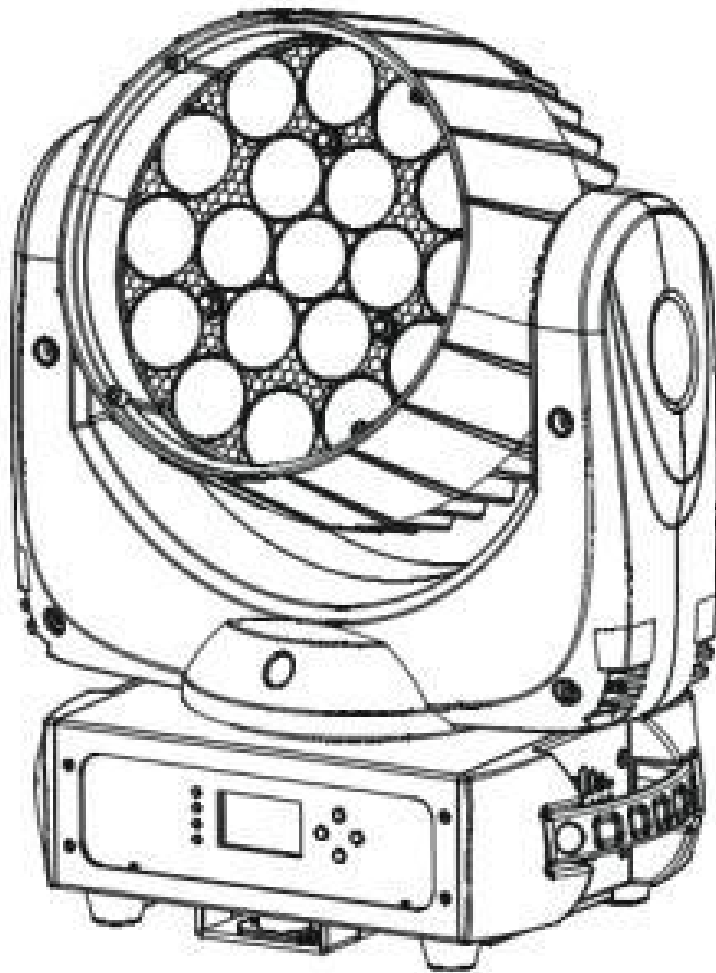




SX-MH1915A



User Manual

SX-MH1915A 19x15W LED Zoom Moving Head Light

WARNING



WARNING

Please read carefully the instruction, which includes important information about the installation, usage and maintenance.

Please keep this User Guide for future consultation. If you sell the unit to another user, be sure that they also receive this instruction booklet.

Unpack and check carefully there is no transportation damage before using the unit.

Before operating, ensure that the voltage and frequency of power supply match the power requirements of the unit.

It's important to ground the yellow/green conductor to earth in order to avoid electric shock.

The unit is for indoor use only. Use only in a dry location.

The unit must be installed in a location with adequate ventilation, at least 50cm from adjacent surfaces. Be sure that no ventilation slots are blocked.

Disconnect main power before replacement or servicing.

Make sure there are no flammable materials close to the unit while operating as it is fire hazard.

Use safety cable when fixes this unit. DO NOT handle the unit by taking its head only, but always by taking its base.

Maximum ambient temperature is $T_a: 40^{\circ}\text{C}$. DO NOT operate it where the temperature is higher than this.

Unit surface temperature may reach up to 85°C . DO NOT touch the housing bare-hand during its operation. Turn off the power and allow about 15 minutes for the unit to cool down before replacing or serving.

In the event of serious operating problem, stop using the unit immediately. Never try to repair the unit by yourself. Repairs carried out by unskilled people can lead to damage or malfunction. Please contact the nearest authorized technical assistance center. Always use the same type spare parts.

DO NOT touch any wire during operation as high voltage might be causing electric shock. Please read carefully the instruction, which includes important information about the installation, usage and maintenance.

Installation

The unit should be mounted via its screw holes on the bracket. Always ensure that the unit is firmly fixed to avoid vibration and slipping while operating. And make sure that the structure to which you are attaching the unit is secure and is able to support a weight of 10 times of the unit's weight. Also always use a safety cable that can hold 12 times of the

SX-MH1915A 19x15W LED Zoom Moving Head Light

SX-MH1915A 19x15W LED Zoom Moving Head Light

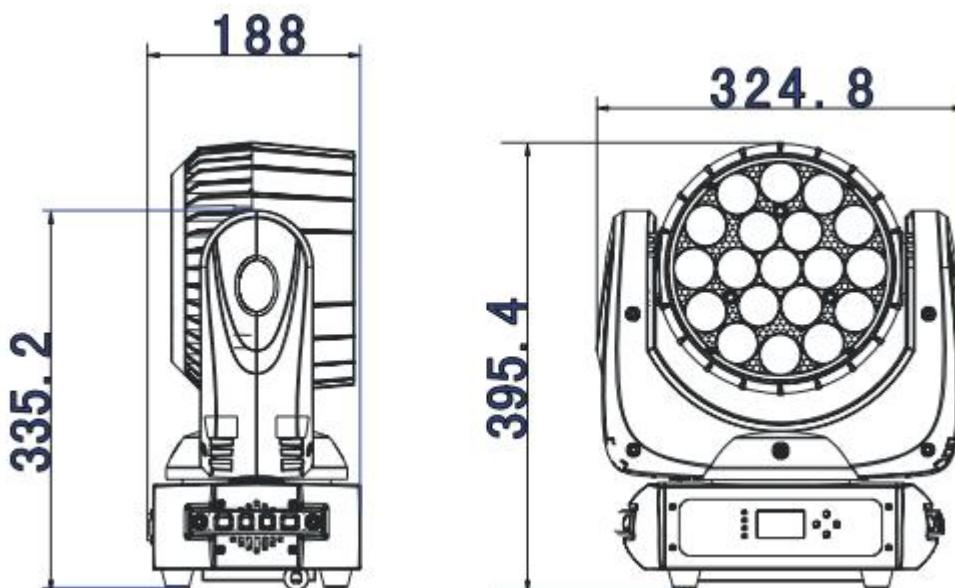
weight of the unit when installing the fixture.

The equipment must be fixed by professionals. And it must be fixed at a place where is out of the touch of people and has no one pass by or under it.

Technical Specifications

- ◇ Extremely small, fast and powerful LED moving beam.
- ◇ DMX Channels: 13 /24 channels mode
- ◇ Operation modes: DMX512, Master/Slave
- ◇ Great built-in lighting shows under Master/Slave mode
- ◇ Blue LCD display for easy navigation
- ◇ Perfect for stage, theater, TV studio, rental and discotheques

- ◇ Voltage: AC 100V~240V, 50/60Hz
- ◇ Power consumption: 340W
- ◇ LED: 19 X 15W RGBW LED
- ◇ Dimension: 44*39*31cm
- ◇ Weight: 9.7Kgs
- ◇ Beam Angel: 6 ~50



SX-MH1915A 19x15W LED Zoom Moving Head Light

SX-MH1915A 19x15W LED Zoom Moving Head Light

Display:

To show the various menus and the selected functions

LED:

POWER	ON	Power On
NULL		No function
NULL		No function
DMX	ON	DMX input present

Button:

MENU	To select the programming functions
DOWN	To go backward in the selected functions
UP	To go forward in the selected functions
ENTER	To confirm the selected functions

DMX input:

For DMX512 link, use 3-pin XLR cable to link the unit together.

DMX output:

For DMX512 link, use 3-pin XLR cable to link the unit together.

Mains input:

Connect to power supply.

Mains output:

Connect to supply power to the next unit.

Fuse(T 6.3A):

Protect the unit from damage of the over-current.

Clamp Mounting :

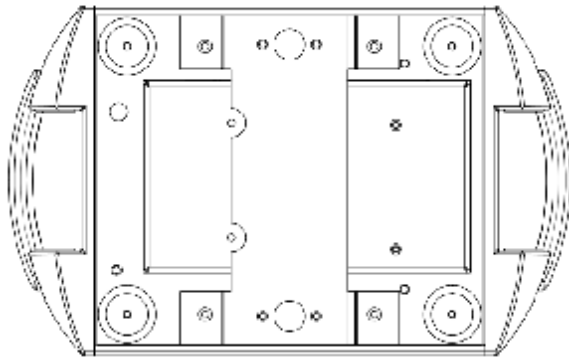
The LED moving head provides a unique mounting bracket assembly that

integrates the bottom of the base, the included 'omega bracket' (see

the following pic)and the safety cable rigging point in one unit.

SX-MH1915A 19x15W LED Zoom Moving Head Light

SX-MH1915A 19x15W LED Zoom Moving Head Light



MANU

DMX Address	001~512			
Run Mode	DMX 13 Ch			
	DMX 24 Ch			
	Auto		Perform Mode 1	
			Perform Mode 2	
			Perform Mode 3	
			Perform Mode 4	
			Perform Mode 5	
			Perform Mode 6	
			Perform Mode 7	
			Perform Mode 8	
	Sound			
	Master Auto		Perform Mode 1	
			Perform Mode 2	
			Perform Mode 3	
			Perform Mode 4	
			Perform Mode 5	
			Perform Mode 6	
			Perform Mode 7	
		Perform Mode 8		
Master Sound				
Slave				
Manual	PAN			
	TILT			
	Focus			
	Red1			
	Green1			
	Blue1			

SX-MH1915A 19x15W LED Zoom Moving Head Light

SX-MH1915A 19x15W LED Zoom Moving Head Light

	White1		
	Red2		
	Green2		
	Blue2		
	White2		
	Red3		
	Green3		
	Blue3		
	White3		
Language	Chinese		
	English		
Advanced Setup	Pan Reverse		
	Tilt Reverse		
	Display Reverse		
	Sound Sensitive	= 000	
	Factory Reset		
	Reset Motor		
	Home Position	Password	Code =018
		PAN	PAN =000
		TILT	TILT =000
		Red	
		Green	
		Blue	
		White	
	Focus		
System Info	on Time		
	Total Time		
	Firmware Version		
	Running Mode		
	Address		
	Temperature		

Function Mode

DMX address setting

With this function, you can adjust the desired DMX- address via the Control Board.

Select via the encoder.

SX-MH1915A 19x15W LED Zoom Moving Head Light

SX-MH1915A 19x15W LED Zoom Moving Head Light

Press the encoder, adjust the DMX address by turning the encoder.

Press the encoder to confirm.

Press the Mode/Esc -button in order return to the main menu.

Set DMX address

Display the DMX 51 2 value of each channel

With this function you can display the DMX 51 2 value of each channel. The display automatically shows the channel with a value changing.

Slave setting

With this function, you can define the device as slave.

Auto Play

With this function, you can run the Inside program. Music control,Slave control and Mic Sensitivity.

[Inside program]With this function,you can run the internal program.

[Music control]With this function, you can run sound-controlled.

[Slave control]With this function, you can define the device as slave.

Reset

With this function, you can reset the device via the Control Board.You can select the different reset

function by turning the encoder.

Pan Reverse

With this function you can reverse the Pan-movement.

Tilt Reverse

With this function you can reverse the Tilt-movement.

Special Setting

[Factory Reset]

With this function, you can select restore factory set for ON or OFF, the default is OFF.

[Calibrate values]

With this function, you can calibrate and adjust the effect wheels to their correct positions.

The password of calibrate values is 01 8.

[Temperature]

With this function, Display the temperature for Celsius or Fahrenheit.

[Manual Control]

With this function, user can control the function by manual.

Edit program

With this function,you can run the internal program. You can select the desired program under "Select

program". You can set the number of steps under "Edit program". You can edit the individual scenes

under "Edit scenes". With this function, you can run the individual scenes by Channel 16.

Temp. Info.

Head Temp

With this function you can display the temperature on the display board of the base (near CMY -filter)in Celsius.

No DMX Status

SX-MH1915A 19x15W LED Zoom Moving Head Light

SX-MH1915A 19x15W LED Zoom Moving Head Light

With this function, when the drive is not DMX signal, the display will be flashing.

Lamp adjustment

With this function, you can adjust the lamp more easily. All effects will be canceled, the shutter opens and the dimmer intensity will be set to 100%. With the individual functions, you can focus the light on a flat surface (wall) and inform the fine lamp adjustment.

Users Mode

With this function, you can create user defined channel orders.

13 MODE CHANNEL

13CH	DMX Value	Function
1	000-255	Pan
2	000-255	Tilt
3	000-255	Dimmer(0-100%)
4	000-009	Shutter closed
	010-250	Strobe effect slow to fast
	251-255	Shutter open
5	000-255	Red
6	000-255	Green
7	000-255	Blue
8	000-255	White
9	000-255	Zoom
10	000-009	Empty
	010-255	3200K-10000K
11	000-007	Empty
	008-012	Static1
	013-017	Static2
	018-022	Static3
	023-027	Static4
	028-032	Static5
	033-037	Static6
	038-042	Static7
	043-047	Static8
	048-052	Static9
	053-057	Static10
	058-062	Static11
	063-067	Static12
	068-072	Static13
073-077	Static14	

SX-MH1915A 19x15W LED Zoom Moving Head Light

SX-MH1915A 19x15W LED Zoom Moving Head Light

	078-082	Static15
	083-087	Static16
	088-092	Static17
	093-097	Static18
	098-102	Static19
	103-107	Static20
	108-112	Static21
	113-117	Static22
	118-122	Static23
	123-181	Macro Color Jump From Slow To Fast
	182-240	Macro Color Fade From Slow To Fast
	241-255	Sound Auto Play
	12	000-009
010-039		Focus auto run 1
040-069		Focus auto run 2
070-099		Focus auto run 3
100-129		Focus auto run 4
130-159		Focus auto run 5
160-189		Focus auto run 6
190-219		Focus auto run 7
220-255		Focus auto run 8
13	0-10	No function
	11-20	XY Auto Run 1
	21-30	XY Auto Run 2
	31-40	XY Auto Run 3
	41-50	XY Auto Run 4
	51-60	XY Auto Run 5
	61-70	XY Auto Run 6
	71-80	XY Auto Run 7
	81-90	XY Auto Run 8
	91-230	Sound XY Auto Run
	231-240	Reset after 3 seconds
	241-255	No function

24 MODE CHANNEL

24CH	DMX Value	Function
------	-----------	----------

SX-MH1915A 19x15W LED Zoom Moving Head Light

SX-MH1915A 19x15W LED Zoom Moving Head Light

1	000-255	Pan
2	000-255	Pan Fine
3	000-255	Tilt
4	000-255	Tilt Fine
5	000-255	Move Speed
6	000-255	Dimmer(0-100%)
7	000-009	Shutter closed
	010-250	Strobe effect slow to fast
	251-255	Shutter open
8	000-255	Red1
9	000-255	Green1
10	000-255	Blue1
11	000-255	White1
12	000-255	Red2
13	000-255	Green2
14	000-255	Blue2
15	000-255	White2
16	000-255	Red3
17	000-255	Green3
18	000-255	Blue3
19	000-255	White3
20	000-255	Zoom
21	000-009	Empty
	010-255	3200K-10000K
22	000-007	Empty
	008-012	Static1
	013-017	Static2
	018-022	Static3
	023-027	Static4
	028-032	Static5
	033-037	Static6
	038-042	Static7
	043-047	Static8
	048-052	Static9
	053-057	Static10
	058-062	Static11
	063-067	Static12
	068-072	Static13
073-077	Static14	

SX-MH1915A 19x15W LED Zoom Moving Head Light

SX-MH1915A 19x15W LED Zoom Moving Head Light

	078-082	Static15
	083-087	Static16
	088-092	Static17
	093-097	Static18
	098-102	Static19
	103-107	Static20
	108-112	Static21
	113-117	Static22
	118-122	Static23
	123-181	Macro Color Jump From Slow To Fast
	182-240	Macro Color Fade From Slow To Fast
	241-255	Sound Auto Play
23	000-009	Empty
	010-039	Focus auto run 1
	040-069	Focus auto run 2
	070-099	Focus auto run 3
	100-129	Focus auto run 4
	130-159	Focus auto run 5
	160-189	Focus auto run 6
	190-219	Focus auto run 7
	220-255	Focus auto run 8
24	0-10	No function
	11-20	XY Auto Run 1
	21-30	XY Auto Run 2
	31-40	XY Auto Run 3
	41-50	XY Auto Run 4
	51-60	XY Auto Run 5
	61-70	XY Auto Run 6
	71-80	XY Auto Run 7
	81-90	XY Auto Run 8
	91-230	Sound XY Auto Run
	231-240	Reset after 3 seconds
	241-255	No function

SX-MH1915A 19x15W LED Zoom Moving Head Light