

novopro

Partybar 100 DMX

I N S T R U C T I O N M A N U A L



Manual version 1.0

This user manual will help you operate this product safely and quickly, so please spend a few minutes to read through the enclosed information.

Due to continuous product development, please check for the latest version of this product manual at:

www.novopro.co.uk

Designed and engineered in the UK and manufactured in China for Novopro Ltd.

Novopro Ltd is a trade-only supplier and only supply wholesale to trade resellers.

At the end of the products working life, please take it to a recycling plant for environmentally friendly disposal.

Due to continuous product development, specifications and appearance are subject to change. E&OE.

© Copyright Novopro.

Thank you for purchasing this Novopro product. To optimise it's performance, please read these instructions carefully to familiarise yourself with the basic operations of the unit. Please retain them for future reference. This unit has been tested at the factory before being shipped to you. To prevent or reduce the risk of electrical shock or fire, do not expose the unit to rain or moisture. To prevent a fire hazard, do not expose the unit to any naked flame sources. Unplug this apparatus during lightning storms or if it is unlikely to be used for long periods of time. When installing the unit, please ensure you leave enough space around the unit for ventilation. Slots and openings in the unit are provided for ventilation to ensure reliable operation of the product and to protect it from overheating. To prevent fire hazard, the openings should never be blocked or covered.

The unit is powered by the mains, always handle the power cable by the plug. Never pull out the plug by pulling on the cable. Never touch the power cable when your hands are wet as this could cause an electric shock. Do not tie a knot in the cable. The power cable should be placed such that it is not likely to be stepped on. A damaged power cable can cause a fire or give you an electrical shock. Check the power cable periodically, if you ever find that it is damaged, replace it before using the unit again. The voltage of the available power supply differs according to country or region. Be sure that the power supply voltage of the area where this unit is to be used meets the requirements of the unit.

The lightning flash symbol inside a triangle is to alert the user to the presence of high voltage within the unit's enclosure that may be of sufficient power to constitute a risk of electrical shock to persons. Caution: to prevent the risk of electric shock, do not attempt to open the unit. No user-serviceable parts inside. Refer all servicing to qualified service personnel. The exclamation mark inside a triangle is intended to alert the user to the presence of important operating and maintenance instructions in the literature accompanying the appliance.

Select the installation location of your unit carefully. Avoid placing it in direct sunlight or locations subject to vibration and excessive dust. Do not use the unit where there are extremes in temperature (do not exceed 40°C).

Manufacturer EC Declaration of Conformity



In compliance with the following requirements:

RoHS Directive (2011/65/EU) and WEEE Directive (2012/19/EU) and (2002/96/EU).

At the end of the products working life, please ensure that the unit is taken to a recycling plant for environmentally friendly disposal - IT MUST NOT be disposed of with general household waste.

Overhead rigging

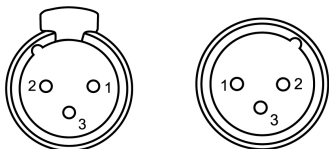
Important - the installation must be carried out by qualified service personal only. Improper installation can result in serious injuries and /or damage to property. Overhead rigging requires extensive experience. Working load limits should be respected, certified installation materials should be used and the installed unit should be inspected regularly for safety.

- Make sure the area below the installation place is free from unwanted persons during rigging, de-rigging and servicing.
- Locate the unit in a well ventilated spot, far away from any flammable materials and/or liquids. The fixture must be fixed **at least 50cm** from surrounding walls
- The device should be installed out of reach of people and outside of areas where persons may walk by or be seated.
- A safety cable must be used when rigging the product overhead.
- Before rigging, please ensure that the installation area can hold minimum point load of 10 times the device`s weight.
- The device should be well fixed; a free swinging mounting is dangerous.
- Do not cover any ventilation opening as this may result in overheating

DMX512 connection

If you are using a standard DMX controller, you can connect the DMX output of the controller directly to the DMX input of the first unit in a DMX chain. If you wish to connect a DMX controller with other XLR outputs you will need to use adapter cables.

DMX output **DMX output** 1 = Shield | 2 = Signal (-) | 3 = Signal (+)

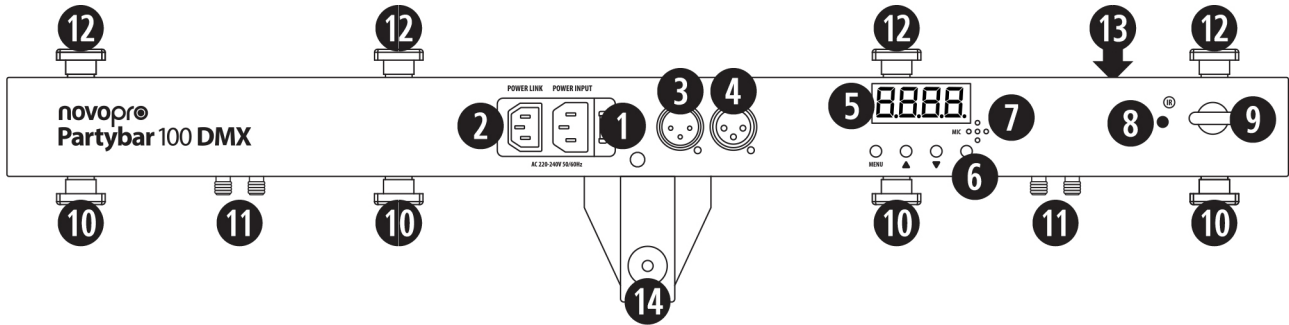


Connect the DMX output of the first unit in a DMX chain with the DMX input of the next unit in the chain. Always connect the output of one unit with the input of the next unit until all units are connected.

Unpacking and safety Please unpack your new product carefully. Your new product should reach you in perfect condition. Please check that no damage has occurred during transit. If any damage is found, do not operate your unit, **please contact the retailer you purchased it from immediately.**

Packing list: lighting control unit with 4 x par cans / adjustable lighting stand / IEC mains lead / instruction manual / 2 x floor mount brackets / 2 x floor mount bracket nuts / 4 x top mount nuts / free carry bags for stand and main unit / remote control.

Unit features & functions



No.	Feature	Function
1	Power supply input	Insert the IEC mains cable here. Built-in fuse.
2	Power link output	Power output link for additional units. Attach IEC connection cable (not supplied) here.
3	DMX input	3 pin XLR connector for DMX512 input communication.
4	DMX output	3 pin XLR connector for DMX512 output communication.
5	LED display	LED function display and menu buttons to control the operating mode of the unit.
6	MENU buttons	MENU function buttons x 4 (see below for operation).
7	Mic	Built-in microphone for Sound-to-Light operation.
8	Rear IR sensor	Remote control IR sensor – point the remote control towards this point.
9	Safety chain eyelet	Attach safety chain here when using at extended heights or mounting unit on an overhead rig.
10	Par can mounts	The par can lights are attached to the controller bar at the 4 points shown.
11	Par can connections	The par can cables are attached to the controller bar at the 4 points shown.
12	Additional mounts	You can remove the thumb bolts to affix additional products at these 4 points.
13	Front IR sensor	Remote control IR sensor – point the remote control towards this point.
14	Light stand socket	Tighten screw to secure the controller bar to the light stand.

Quick Start / Setup Guide

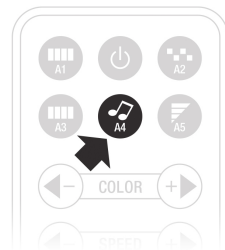
After checking all the contents from the “Packing list”, set up the stand to the height required, ensuring that the locking pin is inserted into one of the holes in the main top pole as this will set the selected height securely into place. Then tighten the thumb bolts on the stand; securely but do not overtighten the thumb bolts otherwise permanent damage will be caused.

You then need to place the main lighting control unit onto the top of the stand. This is done by placing the mounting bracket, (No.14 shown in the diagram), over the top of the stand so that the Partybar now sits on the stand - as it appears on the front of this manual/box etc.

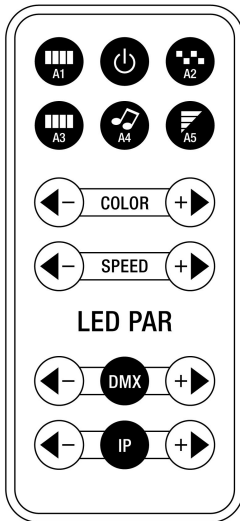
IMPORTANT: please ensure that the mounting point on the bottom of the Partybar is securely located over the top of the stand - THEN tighten the thumb screw bolt into place. Connect the IEC mains lead into the mains input of the Partybar, (as shown in No.1 on the diagram) connect the other end into to the household mains socket and then turn the mains switch on.

The Novopro Partybar 100 DMX has several in-built standard programs to give some stunning effects straight out of the box. We suggest that you start to familiarise yourself with the main features and effects of the Partybar by pushing the **A4 button** – sound activated mode on the remote control, as shown in the diagram right:

This will set the unit into a sound activated automatic program that changes colour and programmed patterns – the lights will now dance to the beat of the music (or by clapping your hands in order to give the Partybar sound to light mode a quick test!)



Further and more advanced programs, along with DMX control for professional users, can be achieved by reviewing the full set features on the following pages.



Remote control buttons and features

A1 button effect 1 – all lights on

Power button

A2 button effect 2 – colour jump change

A3 button effect 3 – colour gradual change

A4 button – sound activated mode

A5 button – strobe mode

< **colour buttons** > – colour adjustment

< **speed buttons** > – speed adjustment

< **DMX buttons** > – DMX channel selection

< **IP buttons** > – running effect

Operating and troubleshooting the remote control

The remote control uses IR (infrared) light to transmit its commands and must be used within a short and direct line of sight to the receiver. To improve the usability, there is a receiver on both the front and rear panels of the Partybar.

The remote control comes supplied with a CR2025 battery. To ensure that the battery isn't discharged during transport, the factory inserts a small piece of transparent plastic between the battery and the contacts. This small plastic sheet must be removed before the remote control will operate. When changing the battery, note the polarity of the battery being removed, the new battery must be facing the same way up as the old battery. With the remote face down (buttons facing the floor) the plus ("+") side of the battery should be facing upwards (i.e. towards the ceiling).

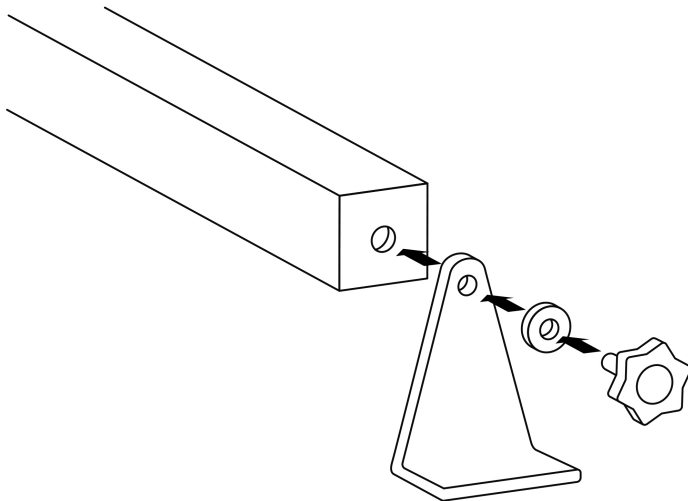
If the remote control doesn't appear to work, first check that the unit is set to respond to the remote by following the instructions at the top of this section. If the remote still doesn't work, replace the battery with a new CR2025 battery. Always ensure that there is an uninterrupted line of site between the remote and the unit's IR remote control sensors (on the front and rear of the controller bar).

Safety chain

There is a safety chain eyelet point (No. 9 on the main diagram) that must be used for additional safety when the Partybar is set at extended heights or flown overhead (see the "overhead rigging" section). Due diligence and sufficient safety measures must be implemented and adhered to within public areas. It is the user's responsibility to use the product in a safe manner and within the current Health and Safety Guidelines.

Floor mounting

The Novopro Partybar 100 DMX is also supplied with floor mount brackets. The brackets are installed onto the Partybar as shown in the diagram below.



Function setting

Using the four function buttons on the controller bar you can set the operating mode of the unit. Press the **Menu** button to display the different functions (see table below for a description of the functions). Use the **Up** or **Down** arrow buttons to make your selection. When you have chosen your desired function, press the **Enter** button to confirm the change.

Number	Display	Function	
1	d001-d512	001-512	DMX address setting.
2	IP.01-IP.64	001-512	IP mode.
3	A1.01	A1.01-A1.18	Static colour mode A1.01-A1.32 - press the Enter button to save.
4	A2.01	A2.01-A2.32	Jump change colour mode A2.01-A2.32 - press the Enter button to save.
5	A3.01	A3.01-A3.19	Multicolour mode A3.01-A3.32 - press the Enter button to save.
6	A4.01	A4.01-A4.19	Sound activated mode A4.01-A4.32 - press the Enter button to save.
7	A5.01	A5.01-A5.19	Strobe mode A5.01-A5.32 - press the Enter button to save.
8	r.000-r.255		Adjust the red colour intensity up or down.
9	G.000-G.255		Adjust the green colour intensity up or down.
10	b.000-b.255		Adjust the blue colour intensity up or down.
11	u.000-u.255		Adjust the white colour intensity up or down.

DMX address setting

When controlling the unit (or units) with a DMX controller, each one must be set with a specific DMX address. You can choose to set all units with the same DMX address or you can set every unit with its own DMX address. If all units are set with the same DMX address all units will be synchronised and operate in the same way.

If you set each unit with a different DMX address, they will receive the DMX signal from their own DMX address. You will now be able to control each unit individually. The DMX address that you set for each unit must be determined by the number of channels. This unit has 8 DMX channels, therefore you should set the starting address of the first unit to 1, the second unit must be set to 9 (1+8), the third to 17 (9+8), the fourth to 25 (17+8) and so on.

8 channel DMX mode

Channel	Value	Function
1	0-10	No function
	11-50	Macro A1
	51-100	Macro A2
	101-150	Macro A3
	151-200	Macro A4
	201-255	Macro A5
	210-255	Red+green+blue
2	0-255	Macro colour
3	0-255	Speed adjustment
4	0-255	Master dimmer
5	0-255	Red dimmer
6	0-255	Green dimmer
7	0-255	Blue dimmer
8	0-255	White dimmer

Master/Slave setting

You can link multiple Novopro Partybar 100 DMX units so that they run together using the programming of the first unit in the chain. The first unit is called the MASTER and all other units are known as SLAVES.

To work in Master/Slave mode you need to connect multiple units in a Master/Slave chain using 3 pin DMX cables (not supplied):

1. Connect the DMX output of the Master unit to the DMX input of the first Slave unit.
2. Next connect another DMX cable from the first Slave unit DMX output to the second Slave unit DMX input.
3. Continue in this fashion until all units are connected.

Using the function buttons on the rear of the controller bar, set the **Master** unit into **Ax** mode (you can choose A1/A2/A3/A4 or A5). Set the **Slave** units to **d001** or **IP.01**. The Slave units should now follow the programming of the Master unit.

Important

In order to prolong the life the product and to act in an environmentally responsible manner, always turn off the unit when it is not in use.

Product specification

Mains power / rated power	AC 220~240V, 50/60Hz / 60w
Control modes	8 channel DMX512 / Auto / Sound-to-Light / Master/Slave / Remote control
Light source	4 par cans with 12 x 1w RGBW LEDs (red, green, blue & white)
Operating temperature	-20°C to 40°C
DMX512 connections	3 pins XLR male/female
Pole mount	35mm
Dimensions (WxDxH)	Controller: 750 x 190 x 92mm / Stand: 90 x 90 x 130mm (closed)
Weight	6.25Kg

Due to continuous product development, specifications and appearance are subject to change.