



IP-DMX  
or  
USB-DMX  
Data Converter

Or Or

[www.usLEDsupply.com](http://www.usLEDsupply.com)



The ground, data, and clock line must be connected between all the strips. Digital strips are directional so make sure that they are connected correctly.

16' Roll Digital RGB Strip

16' Roll Digital RGB Strip

16' Roll Digital RGB Strip

Digital Modules



For best results, each 16' section of digital RGB strip should be connected to a 12V power supply.

**Alternant Configuration**

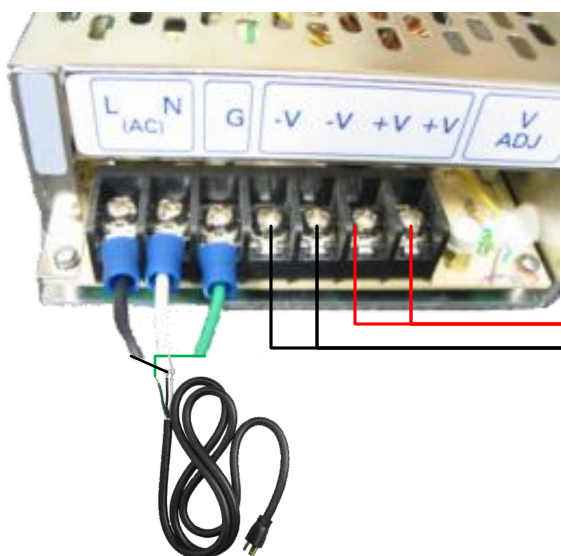


You can connect up to 40 modules together before bringing in another power feed wire.

Up to 40 Digital Modules

Up to 40 Digital Modules

You can either use a separate power supply for each 16' digital role (or 40 digital modules), or use a large power supply and run a separate wire to each section.



Up to 40 Digital Modules

Up to 40 Digital Modules