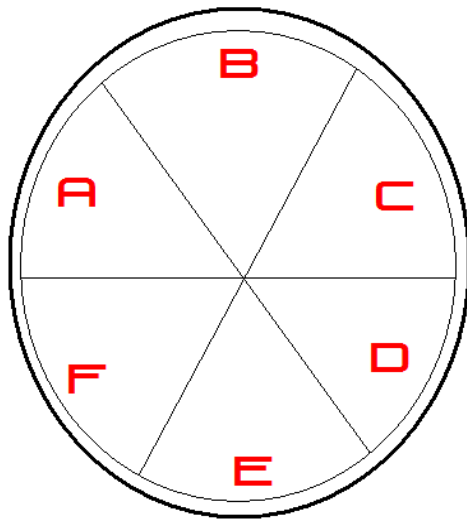
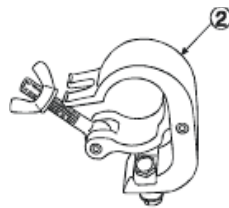


PRELIMINARY SPECIFICATIONS

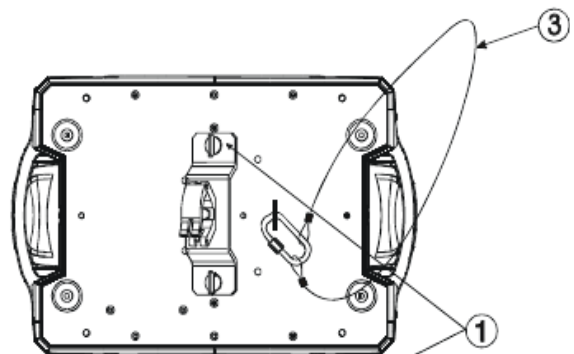
| | | | |
|------------|---|--------------------|-------------------------|
| LED ENGINE | EPISTAR RGBW/A CREE MCE RGBW | POWER INPUTS | NEUTRIK POWERCON I/O |
| BEAM ANGLE | 35° STANDARD NARROW/WIDE TBC | POWER REQUIREMENTS | 110-260V AC 50/60Hz |
| DMX DATA | 3 PIN XLR I/O 12/24/36 DMX channel MODES | DIMENSIONS | 325 x 230 x 445mm |
| PAN | 0° > 540° 16BIT RESOLUTION | WEIGHT | 9kg |
| TILT | 0° > 270° 16BIT RESOLUTION | IP RATING | 21 |
| STROBE | 25Hz | | |



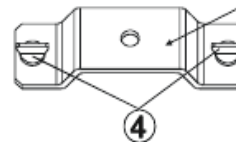
-CELL ID REFERENCE



1. MOUNTING BRACKET
2. OMEGA CLAMP
3. SAFETY WIRE
4. 1/4 LOCK FASTENER



BRACKET W/OMEGA CLAMP



REV360HX

GREENLIGHT/REV360HX-6 CELL MOVING WASH LUMINAIRE

DMX REFERENCE TABLE

MODE 3 / ADVANCED / 6 CELL

| DMX CHANNEL | CELL | PARAMETER | DMX CHANNEL | CELL | PARAMETER |
|-------------|-------------|------------|-------------|------|---------------|
| 1 | N/A | INTENSITY | 20 | C | RED |
| 2 | N/A | STROBE | 21 | C | GREEN |
| 3 | N/A | PAN | 22 | C | BLUE |
| 4 | N/A | 16BIT PAN | 23 | C | WHITE |
| 5 | N/A | TILT | 24 | D | RED |
| 6 | N/A | 16BIT TILT | 25 | D | GREEN |
| 7 | N/A | MSPEED | 26 | D | BLUE |
| 8 | A B C D E F | RED | 27 | D | WHITE |
| 9 | A B C D E F | GREEN | 28 | E | RED |
| 10 | A B C D E F | BLUE | 29 | E | GREEN |
| 11 | A B C D E F | WHITE | 30 | E | BLUE |
| 12 | A | RED | 31 | E | WHITE |
| 13 | A | GREEN | 32 | F | RED |
| 14 | A | BLUE | 33 | F | GREEN |
| 15 | A | WHITE | 34 | F | BLUE |
| 16 | B | RED | 35 | F | WHITE |
| 17 | B | GREEN | 36 | N/A | RESET FIXTURE |
| 18 | B | BLUE | | | |
| 19 | B | WHITE | | | |

REV360HX

DMX reference table-continued

MODE 2-STANDARD / 3 CELL

| DMX CHANNEL | CELL | PARAMETER | DMX CHANNEL | CELL | PARAMETER |
|-------------|-------------|------------|-------------|------|-----------|
| 1 | N/A | INTENSITY | 13 | A B | GREEN |
| 2 | N/A | STROBE | 14 | A B | BLUE |
| 3 | N/A | PAN | 15 | A B | WHITE |
| 4 | N/A | 16BIT PAN | 16 | C D | RED |
| 5 | N/A | TILT | 17 | C D | GREEN |
| 6 | N/A | 16BIT TILT | 18 | C D | BLUE |
| 7 | N/A | MSPEED | 19 | C D | WHITE |
| 8 | A B C D E F | RED | 20 | E F | RED |
| 9 | A B C D E F | GREEN | 21 | E F | GREEN |
| 10 | A B C D E F | BLUE | 22 | E F | BLUE |
| 11 | A B C D E F | WHITE | 23 | E F | WHITE |
| 12 | A B | RED | 24 | N/A | RESET |

MODE 1-BASIC / 1CELL

| DMX CHANNEL | CELL | PARAMETER | DMX CHANNEL | CELL | PARAMETER |
|-------------|------|------------|-------------|-------------|-----------|
| 1 | N/A | INTENSITY | 8 | A B C D E F | RED |
| 2 | N/A | STROBE | 9 | A B C D E F | GREEN |
| 3 | N/A | PAN | 10 | A B C D E F | BLUE |
| 4 | N/A | 16BIT PAN | 11 | A B C D E F | WHITE |
| 5 | N/A | TILT | 12 | N/A | RESET |
| 6 | N/A | 16BIT TILT | | | |
| 7 | N/A | MSPEED | | | |